

Line laser, red, 650nm, 90°, 3mW

LFL650-3-4.5(11x30)

Order Number: 70115871

Main Parameters (*)	min	typ	max	Unit
Wavelength		650		nm
Optical Output Power		3		mW
Operating Voltage	4	4.5	6	V DC
Operating Current	24	40	60	mA
Operating Temperature	-20		40	°C
Storage Temperature	-40		80	°C

Technical Parameters

Lifetime	>20000h
RoHS	yes

Optical Parameters

Beam Shape	Line
Laser Class	1
Divergence	D - 0.5mrad
Fan Angle	90°
Line Thickness	1mm@1m
Operating Distance	1m
Optics	glass lens AR coated
Laser technology	diode
Protection Lens	yes
Focus	fixed (1000mm)

Electrical Parameters

Potential of Housing	VDD(+)
Connector	MTA-100 (3-643814-4)

Mechanical Parameters

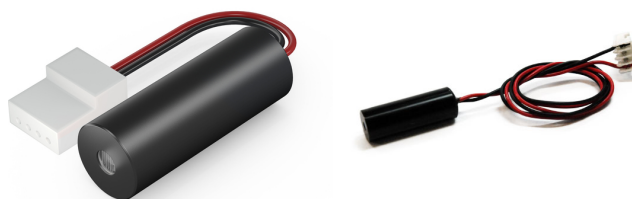
Size	Ø11x30mm
Material	aluminium
Cable length	335mm
Wire type	26AWG, 0,14mm ²
Output Aperture	3mm
Weight	6g

(*) Over the complete operating temperature range

Features

- Compact size
- Protection lens
- Glas lenses anti reflex coated
- Uniform illumination
- For medical devices

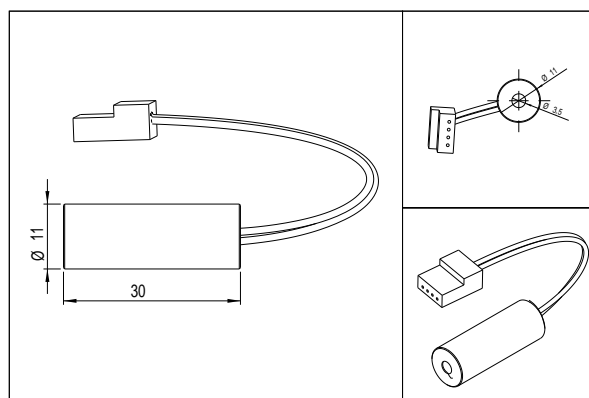
Picture



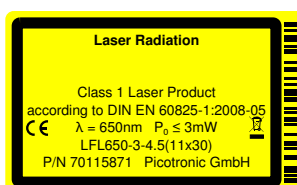
Cable Colors

Ground		black	GND
Positive		red	4 - 6, typ 4.5V DC

Drawing



Safety Label



Revision

REV 1 | 14-JAN-2016

Laserfuchs is a registered trademark of the Picotronic GmbH

Picotronic GmbH Rudolf-Diesel-Str. 2a 56070 Koblenz Germany	Geschäftsführende Gesellschafter: David Heckner, Thiemo Komischke	FON +49(0)261-983 497-50 FAX +49(0)261-983 497-55 www.laserfuchs.de info@laserfuchs.de	Sparkasse Koblenz BLZ 570 501 20, KTO 211 003 BIC / IBAN : MALADE51KOB DE41 5705 0120 0000 2110 03	Postbank Stuttgart BLZ 600 100 70, KTO 770 787 04 BIC / IBAN : PBNKDEFF DE41 6001 0070 0077 0787 04	Steuernummer: 22/651/0291/4 Ust-Idnr. DE814473445 Amtsgericht Koblenz HRB 20026 WEEE-Reg.-Nr. DE85231360
-----------------------------------------------------------------------------	----------------------------------------------------------------------------	-------------------------------------------------------------------------------------------------	-------------------------------------------------------------------------------------------------------------	--------------------------------------------------------------------------------------------------------------	-------------------------------------------------------------------------------------------------------------------