

## Line laser, red, 635 nm, 60°, 5 mW

LFL635-5-6(9x20)60  
Order Number: 70108477

Main Parameters (*)	min	typ	max	Unit
Wavelength		635		nm
Optical Diode Power	2	5	5	mW
Operating Voltage	3		6	V DC
Operating Current	20	40	60	mA
Operating Temperature	-20		40	°C
Storage Temperature	-40		80	°C

### Main Data

Warranty 1 years

### Technical Parameters

Lifetime >3,000h  
RoHS yes

### Optical Parameters

Beam Shape	Line
Laser Class	1
Divergence	H - 1.0 mrad
Fan Angle	60°
Line Thickness	<1.2mm@1m
Operating Distance	2m
Optics	acryl lense
Laser technology	diode
Focus	fixed (1000mm)

### Electrical Parameters

Potential of Housing	VDD(+)
Power Supply	Power Supply with stripped/tinned wires, Output: 3.3V DC, Input: 100-240V AC, 50-60Hz, Output Power: 3.3W max.

### Mechanical Parameters

Size	Ø9x20 mm
Material	Brass
Cable length	100 mm
Wire type	26AWG, 0,14mm²
Output Aperture	6 mm
Weight	6g
Stripping of wire	5 mm

(\*) Over the complete operating temperature range


### Features

- Operating Voltage 3-6V DC
- Laser Class 1
- Compact size
- Uniform line thickness
- Low cost

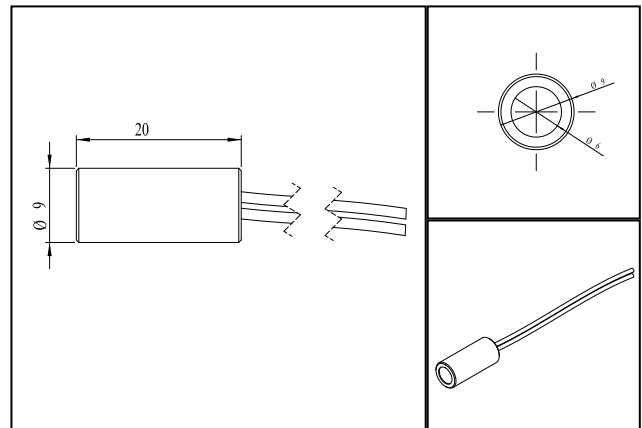
### Picture



### Cable color

Ground		black	GND
Positive		red	3 - 6 V DC

### Drawing



### Safety Label



### Valid Revision

6 | 02-SEP-2022